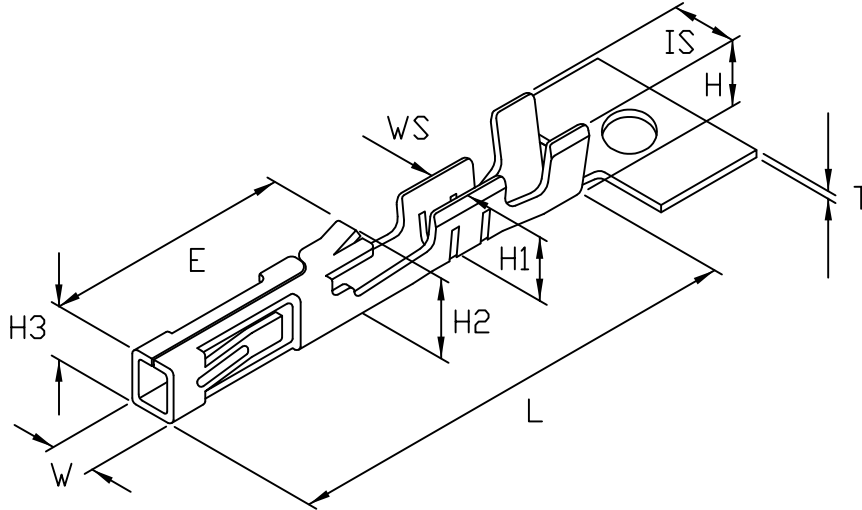


成品製造管制圖  
 DRAWING OF FINISHED PRODUCTS

禁止使用1級環境管理物質  
 Non-use Warranty for Level 1  
 Prohibited Substances in Product.

Pich 2.54mm  
 間距 (.100")



產品編號 Part No: J3304PS  
 品名 Product: 端子 TERMINAL  
 材質 Material: Brass/Phos  
 材料厚度 Thickness: 0.20mm  
 包裝數量 Standard Packing: 15000PCS  
 適用電線 Suitable Wire: 22~28AWG  
 配合端子 Suitable Terminal: JM3304  
 配合塑膠 Suitable housing: JP3304  
 表面處理 Treatment: -0 無表面處理, -00 鍍金, -1 鍍鎳, -2 鍍錫  
 (-0 Non surface treatment  
 ,-00 Gold flash,-1 Nickel played,-2 Tin plated)

DIMENSION:(MM)

T:0.2 ± 0.03  
 L:12.8 ± 0.25  
 E:6.3 ± 0.25  
 W:1.3 ± 0.15  
 IS:2.1 ± 0.25  
 WS:1.8 ± 0.25  
 H:1.9 ± 0.25  
 H1:1.5 ± 0.25  
 H2:2.0 ± 0.25  
 H3:1.55 ± 0.2

\* 本成品圖僅供參考,若需做為承認用請聯絡就近業務員確認  
 (The drawing is for reference only,  
 please contact the sales division nearby for final confirmation if it's for approval purpose.)

H/Q: Kaohsiung, Taiwan  
 總公司: 高雄 台灣  
 TEL: 886-7-6223787  
 FAX: 886-7-6210385  
 E-mail: jmt6317@jmt.com.tw

Taipei Branch, Taiwan  
 台北營業所  
 TEL: 886-2-26940195-7  
 FAX: 886-2-26940738  
 E-mail: taipei.jmt@msa.hinet.net

Overseas, Taiwan  
 外銷業務部  
 TEL: 886-7-6223787  
 FAX: 886-7-6210385  
 E-mail: jmt6318@yahoo.com.tw